



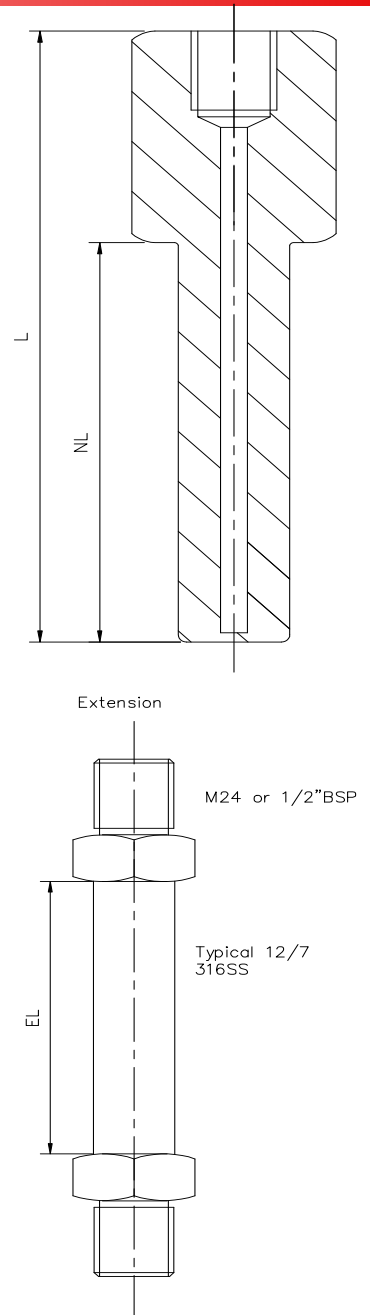
Solid Drilled Pocket—Weld In **Page 1**

Type Designation	SDW
Temperature Range	0 to 1200 ° C
Common Materials	See Metals Data Sheet
Common Size	Ø 24 h7
Application Notes	<ul style="list-style-type: none"> ■ Assembly component (with extension, head and sensor) ■ Replacement sheath ■ High temperature ■ Fast response ■ Will withstand tough industrial use
Special Options	<ul style="list-style-type: none"> ■ Forged material available ■ Pressure Vessel welding qualification ■ Weld test to customer specification ■ Special materials available on request ■ Wear and Chemical resistant coatings ■ Head fittings ■ Reduced tip options ■ Pressure testing ■ Vibration Collars ■ Material Certificates

Appropriate Sheath Materials Maximum Temperature

310 SS	1100 ° C
Alloy 600 (Inconel®)	1100 ° C
Hastelloy C276	1040 ° C
Hastelloy B2	815 ° C
321 SS	800 ° C
316 SS	800 ° C
Monel 400	480 ° C

Insert types on next continued on next page:



Visit the Peak Sensors Online design guide at
www.peakensors.com

PEAK SENSORS LTD

Kelvin House | Station Lane Industrial Estate | Chesterfield | S41 9QX | United Kingdom

TEL: **+44 (0)1246 261999** | FAX: **+44 (0)1246 261888**

The technical information provided on any pages of the Peak Sensors brochure is advisory only and should not be relied on for any design, process or production. We will be pleased to undertake specific technical advisory work under our normal terms of service. Peak Sensors Ltd accepts no responsibility for any loss or damage caused through reliance on any information contained therein.



Solid Drilled Pocket—Weld In **Page 2**

Insert Types that can be used in this protection sheath

<i>Mineral Insulated Inserts</i>	<i>Thermocouple</i>	<i>RT or Thermistor</i>
Mineral Insulated Insert with Transmitter	MTT	MRT
Mineral Insulated Insert with Block	MTI	MRI
Mineral Insulated with Head	MTH	MRH
Mineral Insulated Insert with DIN Plate	MTD	MRD
<hr/>		
<i>Rigid Metal Tube Inserts</i>		
Insert with DIN Plate	TTD	TRD
Insert with Block	TTI	TRI
Sensor with Head	TTH	TRH
Insert with Transmitter	TTT	TRT

Visit the Peak Sensors Online design guide at
www.peaksensors.com

PEAK SENSORS LTD

Kelvin House | Station Lane Industrial Estate | Chesterfield | S41 9QX | United Kingdom

TEL: **+44 (0)1246 261999** | FAX: **+44 (0)1246 261888**

The technical information provided on any pages of the Peak Sensors brochure is advisory only and should not be relied on for any design, process or production. We will be pleased to undertake specific technical advisory work under our normal terms of service. Peak Sensors Ltd accepts no responsibility for any loss or damage caused through reliance on any information contained therein.