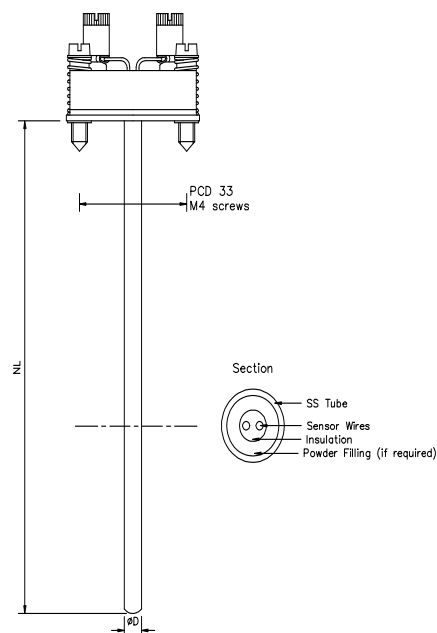




Resistance Thermometer Insert with Block

Type Designation	TRI
Measuring Range	-100 to + 500 ° C
Common Sensor Types	1 Pt 100 B
Temperature Coefficient	0.3850 Ω / ° C
Wiring	3 wire, marked red/red/white
Common Diameters	Ø 6.0, 8.0mm
Common Sheaths	321 SS
Block size	Ø 41mm, M4 Screws 33mm PCD
Cold End Max Temperature	150 ° C
Application Notes	<ul style="list-style-type: none"> ■ Inexpensive insert ■ Very cheap design if maximum is 225 ° C ■ Used in Pocket/head assemblies ■ Suitable for quick replacement on plants ■ Industry standard block size ■ Spring loaded for good thermal contact ■ DIN standard lengths available
Special Options	<ul style="list-style-type: none"> ■ Duplex ■ Higher accuracy sensors A, 1/3, 1/5, 1/10 DIN ■ Pt 50, Pt 500, Pt 1000 and Pt 2000, Cu or Ni Element ■ 2 or 4 wires ■ Non turning screw pins available ■ Encapsulated wires, Limited travel option ■ Tagging ■ Compression Fitting ■ RT can be replaced with a thermistor



Visit the Peak Sensors Online design guide at
www.peakensors.com

PEAK SENSORS LTD

Kelvin House | Station Lane Industrial Estate | Chesterfield | S41 9QX | United Kingdom

TEL: **+44 (0)1246 261999** | FAX: **+44 (0)1246 261888**

The technical information provided on any pages of the Peak Sensors brochure is advisory only and should not be relied on for any design, process or production. We will be pleased to undertake specific technical advisory work under our normal terms of service. Peak Sensors Ltd accepts no responsibility for any loss or damage caused through reliance on any information contained therein.